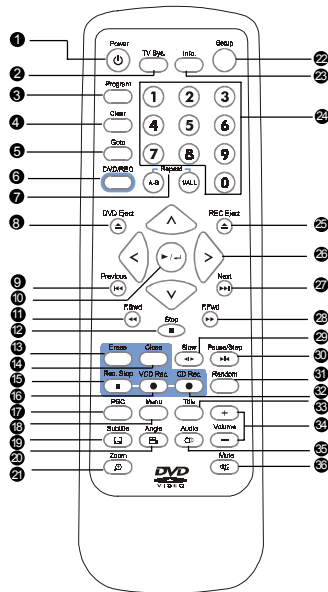


>> DVD Remote Control

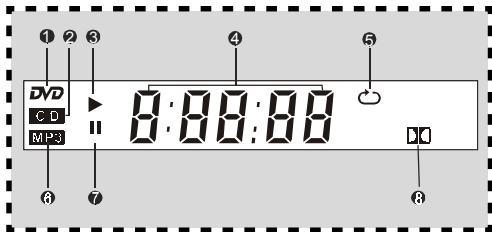
- | | |
|--|-----------------------|
| 1. POWER button | 19. SUBTITLE button |
| 2. TV SYS. button | 20. ANGLE button |
| 3. PROGRAM button | 21. ZOOM button |
| 4. CLEAR button | 22. SETUP button |
| 5. GOTO button | 23. INFO. button |
| 6. DVD/REC button | 24. Number buttons |
| 7. A-B REPEAT button;
REPEAT (1/ALL) button | 25. REC EJECT button |
| 8. DVD EJECT button | 26. Cursor buttons |
| 9. PREVIOUS button | 27. NEXT button |
| 10. PLAY/ENTER button | 28. F.FWD button |
| 11. F.BWD button | 29. SLOW button |
| 12. STOP button | 30. PAUSE/STEP button |
| 13. ERASE button | 31. RANDOM button |
| 14. CLOSE button | 32. CD REC. button |
| 15. REC. STOP button | 33. TITLE button |
| 16. VCD REC. button | 34. VOLUME buttons |
| 17. PBC button | 35. AUDIO button |
| 18. MENU button | 36. MUTE button |

***Data is subject to change
without further notice.**



>> LED Display

- 1. DVD indicator**
Lights when a DVD is loaded.
- 2. CD indicator**
Lights when a CD is loaded.
- 3. PLAYBACK indicator**
Lights when playing back any disc.
- 4. Counter display**
Displays the type of disc and playback time, etc.
- 5. Repeat playback indicator**
Indicates the entire disc, the same title, chapter/track, or a specific segment is being played back repeatedly.
- 6. MP3 disc indicator**
Lights when a MP3 disc is loaded.
- 7. PAUSE indicator**
Lights when PLAYBACK is paused.
- 8. Dolby Digital indicator**
Indicates Dolby digital sound playback.



* Data is subject to change without further notice.